



ICS360.DEFENDER-PICO2 | Industrial Security Appliance

DYNICS ICS360.Defender-PICO2 is an Industrial Control System Security Appliance hosting the ICS360.Defender Security platform from DYNICS. The compact hardware is capable of a Firewall with Deep Packet Inspection, VPN Server and Client, and so much more! ICS360.Defender supports popular Industry standard protocols and can auto-learn industrial network traffic to minimize manual rule creation.

- ICS360.DEFENDER pre-loaded (see chart for Version & Feature Selection)
- Fan-less (No Moving Parts)
- IP50 Construction
- 2x RJ45 NICS
- Rugged
- DIN Rail Mount
- 24VDC Power Entry

HARDWARE SPECIFICATIONS

COMPUTER I/O	HDMI Port	1x
	USB 3.0 Ports	2x
NICS	2x 1Gb RJ45 Ethernet Ports	
POWER SUPPLY	24VDC Power Entry	
TEMPERATURE	Operating: 0°-50°C 32°-122°F Non-Operating: -25°-60°C -13°-140°F	
RELATIVE HUMIDITY	Non-Condensing: 0% - 85%	
SHOCK RESISTANCE	Operating: 10G Non-Operating: 15G	
VIBRATION INCLUDED	Operating: 1.0G from 57~2000Hz Non-Operating: 2.5G from 57~2000Hz	
COMPLIANCE	DIN Rail Mount (Optional Panel and Shelf Mount Brackets Available)	
WARRANTY	1x Standard CR3032 Lithium Battery	
TECHNICAL SUPPORT & MAINTENANCE	European Union Directive 2011/65/EU (RoHS)	
	24-Month limited warranty. Extended warranty available, contact DYNICS for more details.	
	Available, Renews Yearly, Contact DYNICS for details.	

OPTIONAL ACCESSORIES

- PWR-24V-2.5ADC-ECO-RAIL** ECO-RAIL-2 Industrial DIN Rail Mount 60 W Power Supply, 90-264 VAC Input, 24VDC, 2.5ADC Output (Not Rugged)
- PWR-24V-BRK-40W-3PIN** 40 Watt AC to DC Desktop Brick Power Supply, 6 Ft US AC Power Cable, 3-PIN DC Cable (Recommended for Setup, Lab, & Desktop Use Only, Not Rugged)



DIMENSIONS, WEIGHT AND POWER CONSUMPTION

HEIGHT	2.5" (64.5mm)
WIDTH	4.51" (114.6mm)
DEPTH	4.7" (118.2mm)
WEIGHT	1.5 lbs. (0.68kg)
POWER CONSUMPTION	20 Watts**

* Weights are approximate, contact DYNICS for details.

** Power consumption is based on maximum ratings, actual ratings vary significantly based on components used.



PART NUMBER INFORMATION

ICS360.Defender Appliance Series			Optional Annual Technical Support & Maintenance	
Part Number	Description	License Type		Part Number
<i>Each ICS360.Defender Product must be quoted with Optional Annual Technical Support & Maintenance and renewed annually</i>				
ICSDEF-PI20XXB1-SNT	(See Hardware Spec, Page 1)	SIMPLE-NAT	+	TS&M-PI20XXB1-SNT
ICSDEF-PI20XXB1-NAT	(See Hardware Spec, Page 1)	NAT	+	TS&M-PI20XXB1-NAT
ICSDEF-PI20XXB1-VPN	(See Hardware Spec, Page 1)	VPN	+	TS&M-PI20XXB1-VPN
ICSDEF-PI20XXB1-LIT	(See Hardware Spec, Page 1)	LITE	+	TS&M-PI20XXB1-LIT
ICSDEF-PI20XXB1-DLT	(See Hardware Spec, Page 1)	LITE/DPI	+	TS&M-PI20XXB1-DLT
ICSDEF-PI20XXB1-PRO	(See Hardware Spec, Page 1)	PRO	+	TS&M-PI20XXB1-PRO

DPI Monitoring and Reporting
 Deep Packet Inspection
NAT Network Address Translation
VPN Virtual Private Network
Redundancy
GUI Control Supplier Access



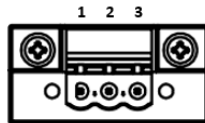
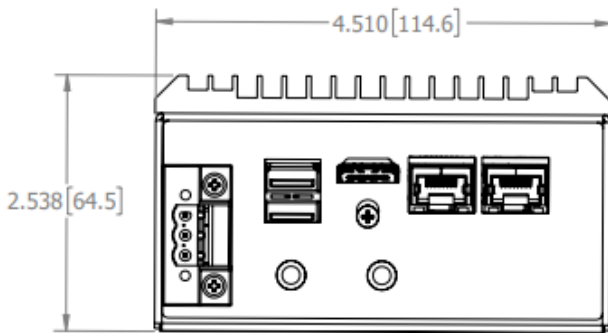
ICS360.DEFENDER VERSIONS & FEATURE SELECTION

ICS360.Defender Features by License Type						
	SIMPLE-NAT (-SNT)	NAT (-NAT)	REMOTE (-VPN)	LITE w/o DPI (-LIT)	Lite w/ DPI (-DLT)	PROFESSIONAL (-PRO)
GENERAL	✓	✓	✓	✓	✓	✓
Dynics Cybersecurity Console Manage/Monitor multiple ICS360.Defenders	✓	✓	✓	✓	✓	✓
NAT Network Address Translation	✓	✓	✓	✓	✓	✓
DIAGNOSTICS Troubleshoot traffic, network, and ICS configuration	✓	✓	✓	✓	✓	✓
FIREWALL Control Network Traffic	✓	✓	✓	✓	✓	✓
VPN Remote Access/Virtual Private Network		✓	✓	✓	✓	✓
CERTIFICATE MANAGEMENT Local/Enterprise		✓	✓	✓	✓	✓
AD/LDAP/RADIUS/Local User Management Authentication Types		✓	✓	✓	✓	✓
DHCP Dynamic Host Configuration Protocol		✓	✓	✓	✓	✓
CAPTIVE PORTAL Control supplier access		✓	✓	✓	✓	✓
DNS Domain Name System		✓	✓	✓	✓	✓
RULES/POLICY SCHEDULER Schedule rules by date/time/duration			✓	✓	✓	✓
NTP (Network Time Protocol) Synchronize time to master clocks				✓	✓	✓
PACKAGES Adds additional functionality above base				✓	✓	✓
Asset Detection & Monitoring Track network assets by serial #, f/w, etc.				✓	✓	✓
DPI (Deep Packet Inspection) Finite control of access to PLCs, HMIs, Devices					✓	✓
Load Balancing Use multiple uplinks to increase throughput						✓
Traffic Shaping						✓
Hot Failover Redundancy for critical paths						✓



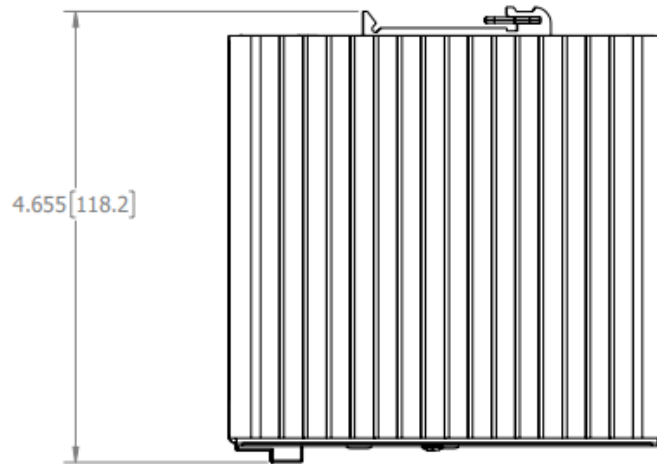
MECHANICAL DRAWINGS

FRONT VIEW
24VDC Power Entry

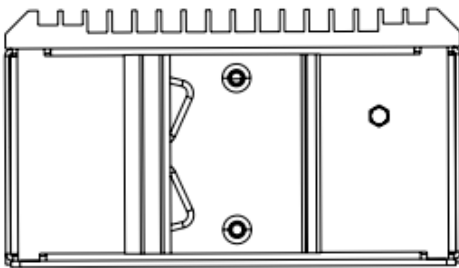


PIN 1: V+
PIN 2: ⏏ (Chassis Ground)
PIN 3: V-

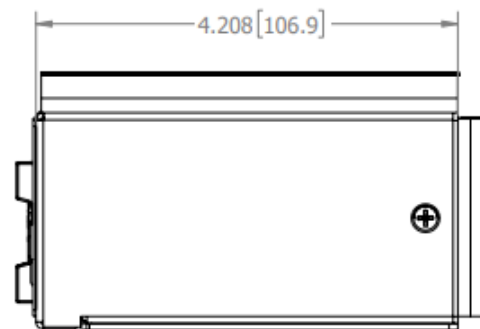
TOP VIEW



BACK VIEW



SIDE VIEW



All measurements are in inches and pounds, unless noted. Pictures and drawings are not to scale. Estimated weight may change depending on options. DYNICS Reserves the right to change, modify, upgrade, or discontinue any part of this datasheet without any prior notice.

